

The NeoTech T228™ is specially designed to remove TOCs in high-purity water treatment applications.

This high-efficiency UV system utilizes NeoTech Aqua's patented ReFlex™ chamber technology, reflecting over 99% of the 254nm UV generated. Further, its unique design maximizes the exposure of TOCs to the 185nm wavelength UV light that the unit generates. It is the highest efficiency, smallest footprint, and lowest operating cost UV system in the water treatment industry.

With only a single twenty-eight inch lamp, the T228™ provides users the most convenient and lowest cost service schedule of any low pressure UV system.

PRODUCT BENEFITS

- Single lamp efficiency processes up to 15 gallons per minute
- 75% smaller footprint compared to standard UV systems
- May be mounted vertically or horizontally, vertical mount recommended for best results
- Up to four units may be controlled with a single micro-control box
- Built for 120V or 230V single phase power providing for maximum flexibility
- No flow, no problem – guaranteed 60 minutes
- Water contact finish – Ra-15
- Controller – Remote
- Alarms, Remote Control, 4-20 mA output
- Real time dosimetry, 100% dosage assurance – with constant flow
- UV monitor is NIST traceable
- Sanitization in place – hot water or steam
- No-tool lamp change
- NSF Standard 50 certified
- Warranty one year parts and labor

MAXIMUM UV PENETRATION

The NeoTech T228™ provides users an unparalleled level of engineering sophistication by maximizing the penetration of 185nm UV light in a unique annular design. This technical advantage also reduces the number of lamps and power requirements by up to 90% compared to standard UV systems.

MINIMAL MAINTENANCE AND SERVICE

The service and maintenance requirements for the NeoTech T228™ are limited to three basic requirements:

- Lamp Replacement: No Tools Required
- UV Monitor: May be changed with a single screwdriver while the system is operating
- Cleaning: May be cleaned as needed in a CIP loop or manually brushed.

UNPARALLELED EFFICIENCY

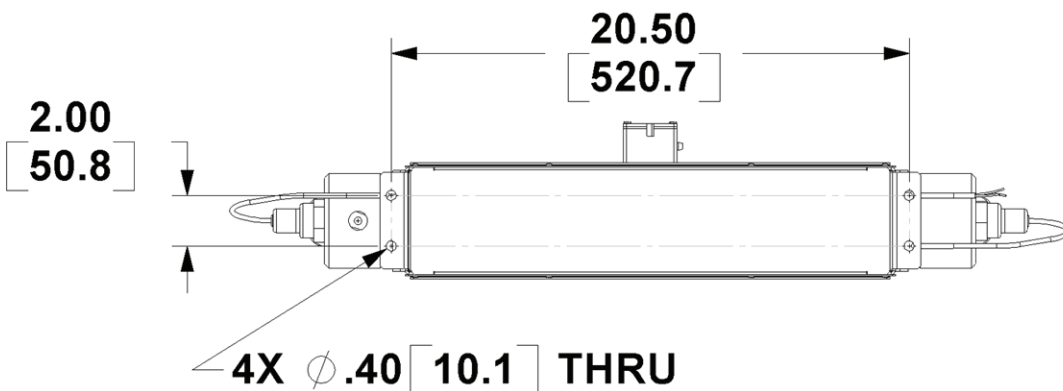
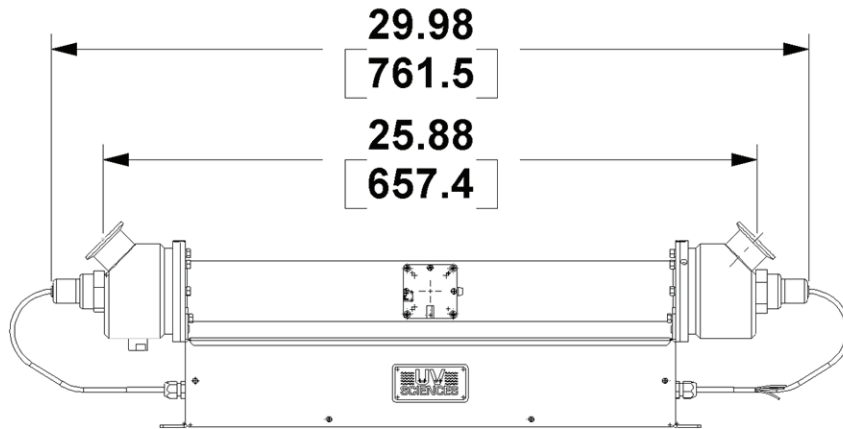
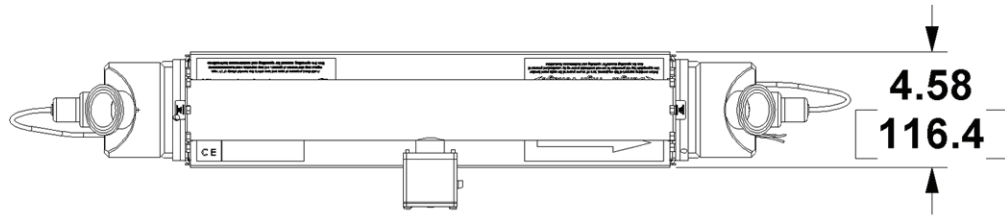
The NeoTech T228™ boasts the smallest footprint in its class. With as few as one-tenth as many bulbs compared to standard UV systems, it has the lowest operating cost and maintenance schedule in the field.

SPECIFICATIONS

| | |
|---|-------------------|
| Flow Rate - gpm (m ³ /hr.) - TOC Reduction | 15 (3.4) |
| Number of High Output Amalgam Lamps | 1 |
| Lamp Life - Hours* | 9000 |
| Operating Power - watts | 120 |
| Operating Pressure - psi (bar) | 150 (13) |
| Operating Temperature - °F (°C) | 36 - 104 (2 - 40) |
| Pressure Drop - psi (bar) | 0.2 (.02) |
| Dry Weight - pounds (kg) | 33 (15) |
| Dimensions (L x H x D) - inches | 30.0 x 6.2 x 8.2 |
| Dimensions (L x H x D) - millimeters | 762 x 158 x 208 |
| Sanitary Fittings - Standard* | 1.5 |

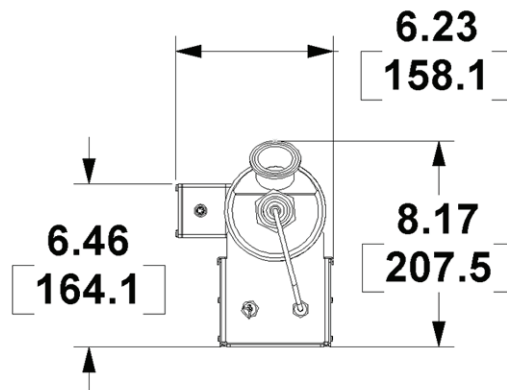
* Lamp life is based on a maximum of one on/off cycle per day and room temperature water.

* All units include sanitary tri-clamp fittings for improved reliability, sanitation, and ease of installation. Alternative connections are available upon request.



OPTIONS AND SPARES

| Description | Part Number |
|------------------------|-------------|
| Light Trap Kit* | UVLTK-2 |
| Cleaning Kit | CK-2-1 |
| Amalgam Lamp Kit | LK-28 |
| Lamp Sleeve Kit | QSK-28 |
| UV Monitor Calibration | UVIM-CAL |
| Ballast Kit, 120V | BK-120 |
| Ballast Kit, 230V | BK-230 |



* Reflected UV light may be harmful to nonmetallic surfaces, such as PPL, PVC, and other plastics. If such materials are utilized in the water treatment system, a light trap is recommended.